

A DESIGN AS REFRESHING  
*as the water it serves!*



H<sub>2</sub>O  
*to go!*<sup>™</sup>

**murdock**<sup>®</sup>  
SINCE 1853

Fill up. Cool down. Get going. H<sub>2</sub>O to go!<sup>™</sup> is a refreshing, eco-friendly alternative to plastic water bottle. With a slimmer body and more inviting aesthetics than traditional bottle fillers, H<sub>2</sub>O to go! ensures maximum style, functionality and hydration.

# H<sub>2</sub>O to go!™ Indoor Bottle Filler with Barrier-Free Water Cooler

## BF12-BCD WITH A171

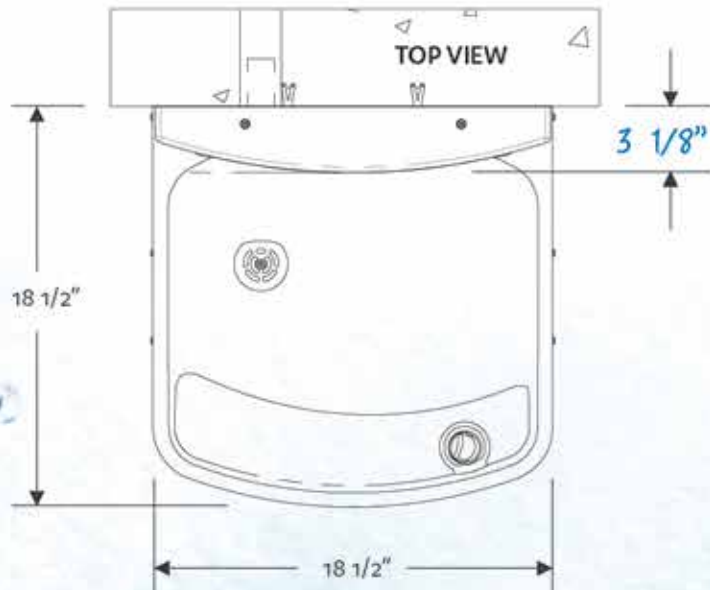
(Shown with optional Bottle Counter Display-BCD)

← Slim & Trim!  
3 1/8"



SIDE VIEW

- Sleek design creates a seamless fit with new curved water cooler deck

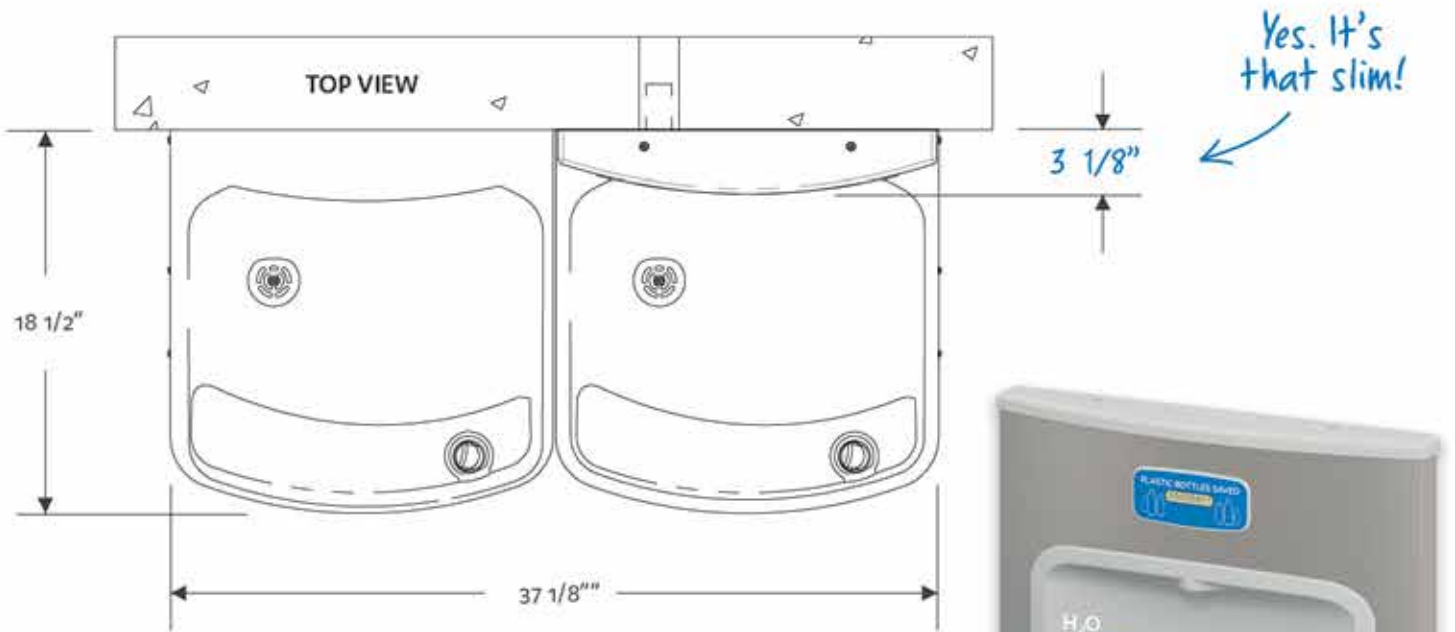


← We're not kidding...it was designed that way!

# H<sub>2</sub>O to go!™ Indoor Bottle Filler with Bi-Level Barrier-Free Water Coolers

BF12-BCD WITH A172

(Shown with optional Bottle Counter Display-BCD)



ASK YOUR REPRESENTATIVE  
ABOUT CUSTOM BRAND  
COLORS & LOGO DESIGNS

## FEATURES:

- **No-splash** laminar flow provides quick 1 gpm flow rate
- **Automatic** LED lighting brightens when bottle is detected, (when Bottle Counter Display [BCD] is specified)
- **Antimicrobial** flexible bubbler, push pad and BF recessed area
- Frontal push pads require **less than five pounds** of force
- Grey trim allows for **seamless** components



**murdock**<sup>®</sup>  
SINCE 1853

## H<sub>2</sub>O to go!™ Indoor Bottle Filler with Bi-Level Rounded Box Wall Mount Drinking Fountain

### BF16-BCD WITH A152

(Shown with optional Bottle Counter Display-BCD)



- Two-piece **contoured** bowl with integral P-trap
- Stainless steel **non-splash** bubbler
- Lightweight **face tilts forward** for easy maintenance



### A13 SERIES

Optional bowl with integral P-trap

## Easy maintenance design for quick access

*So light & easy  
to service!* →

### Murdock's Maintenance Advantage®

ensures easy fixes in less time and fewer necessary repair parts, all at less cost!

#### EASY ACCESS:

- Only **TWO top screws** to gain access
- Self-holding, lightweight face tilts forward for **easy maintenance** (BF16 only)
- **Optional** water filter(s)

#### CONVENIENT BOTTLE DECK:

- **Surface mounted** integral p-trap with catch tray mounted above
- **No mess** catch tray for excess spill water



# H<sub>2</sub>O to go!™ Wall Mount Indoor Bottle Filler

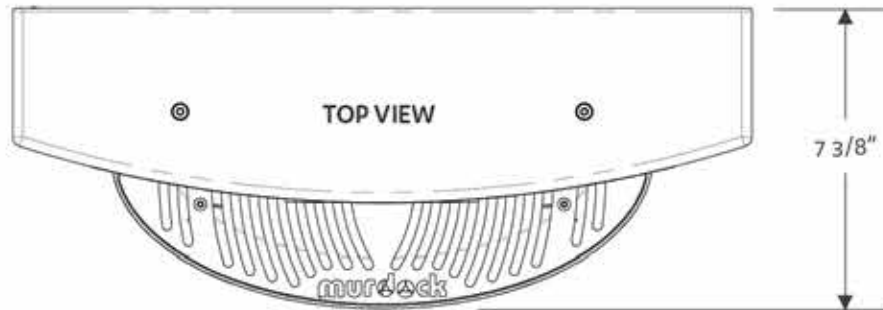
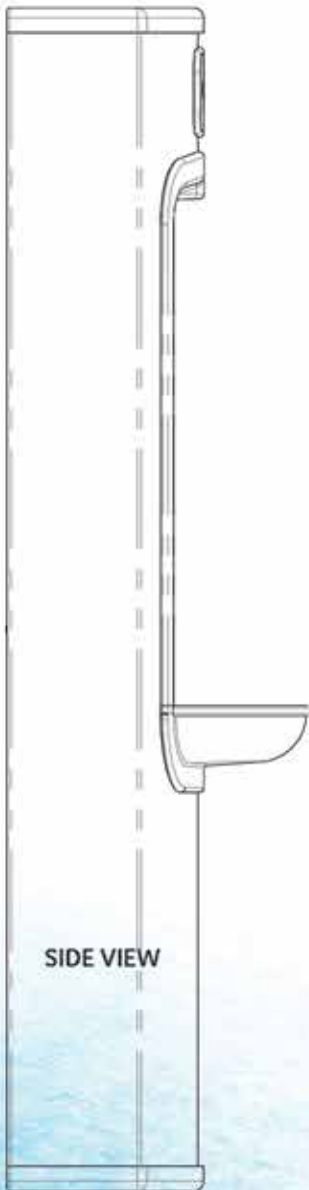
**BF16-BCD**

(Shown with optional Bottle Counter Display-BCD)

Very low  
Profile!



4 7/8"



Easy to read digital filter notice and Bottle Counter Display (BCD optional)

Automatic LED lighting (standard) with BCD option

Sensor-activated water flow

Recessed curvature provides easy filling for all bottle sizes

The catch tray offers a place to set your bottle when filling

- Heavy duty vandal-resistant stainless steel body
- Optional - Manual push button
- Custom colors and logos available
- Cost-effective

# H<sub>2</sub>O to go!™ Wall Mount Indoor Bottle Filler with 8 gph Remote Water Chiller

BF168-BCD WITH A9100080-A

(Shown with optional Bottle Counter Display-BCD)

DON'T FORGET. ASK ABOUT CUSTOM BRAND COLORS & LOGO DESIGNS!



← Same low profile bottle filler →

Compact design **conceals easily** in walls

Chiller designed to **serve multiple** bottle fillers and drinking fountains

Chiller includes **in-wall mounting frame**, louvered lower panel and upper wall panel



**murdock**<sup>®</sup>  
SINCE 1853

15125 Proctor Avenue • City of Industry, CA 91746  
1.800.45.DRINK • [murdockmfg.com](http://murdockmfg.com) • [h2otogo.co](http://h2otogo.co)



PATENT PENDING

  
MORRIS GROUP  
INTERNATIONAL

L1001387  
11/17